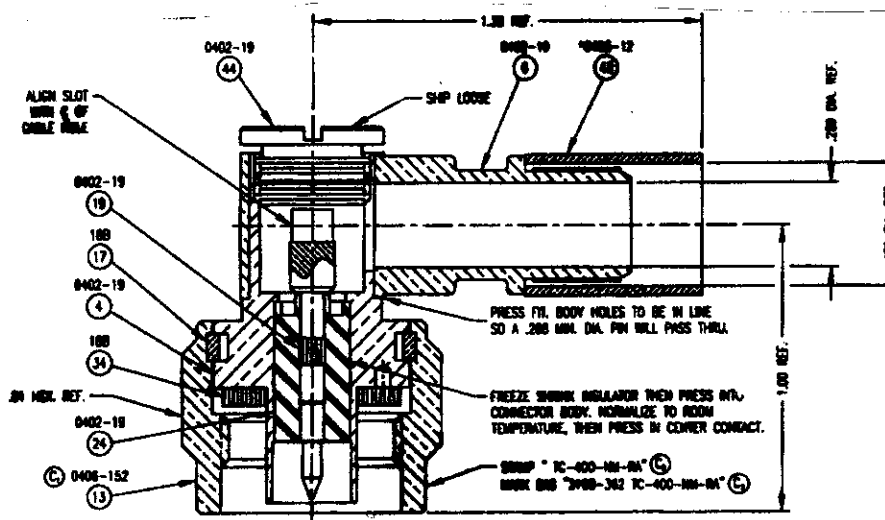


REV. STATUS SHEETS	REV. LTR.					REVISIONS			
	SHEET NO	1				LTR	DESCRIPTION	DATE	BY
						-	Released	3/04/96	JCL



**Materials & Finishes**

Center Contact: Gold Plated Brass  
 Other Metal Parts: Silver Plated Brass  
 Dielectric: Teflon  
 Gasket: Silicone Rubber

**Electrical Properties**

Impedance: 50 Ohms  
 Working Voltage: 1000 Volts (RMS max)  
 VSWR: 1.25:1 up to 2 GHz

Unless otherwise specified dimensions in inches. Tolerances are applicable when specified.	Approvals			TIMES MICROWAVE SYSTEMS Wallingford, CT 06492		
	Drawn	JCL	3/04/96	TC-400-NM-RA Type N Male Rt. Angle Connector for LMR-400		
	Check					
	PrjMg					
	PrdMg			Size A	Code Ident 68999	Dwg.No. 3190-422
	QAMgr	RTH	3/04/96	Scale: NA		Sheet: 1 of 1